

4

3

2

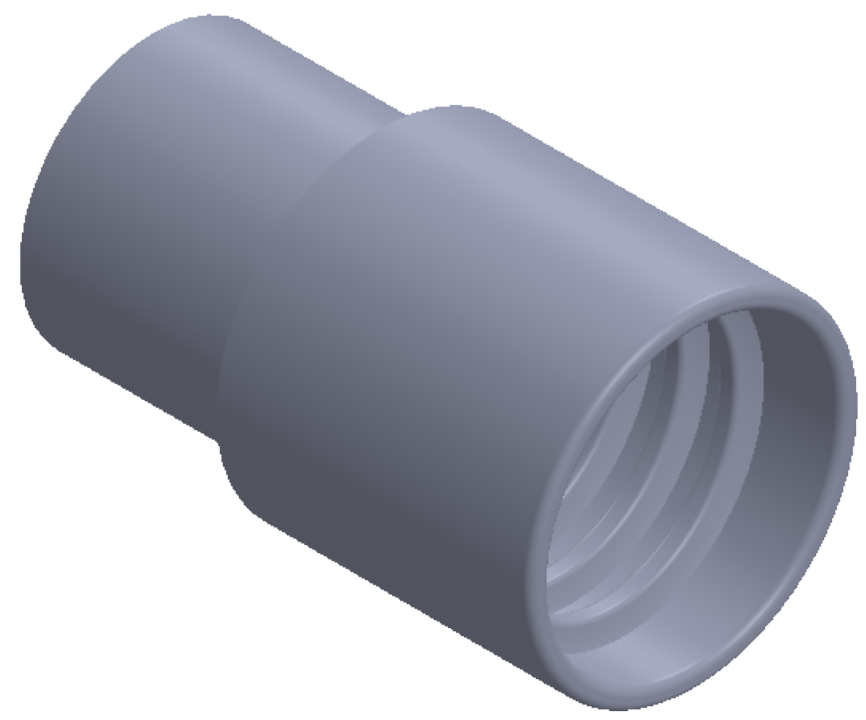
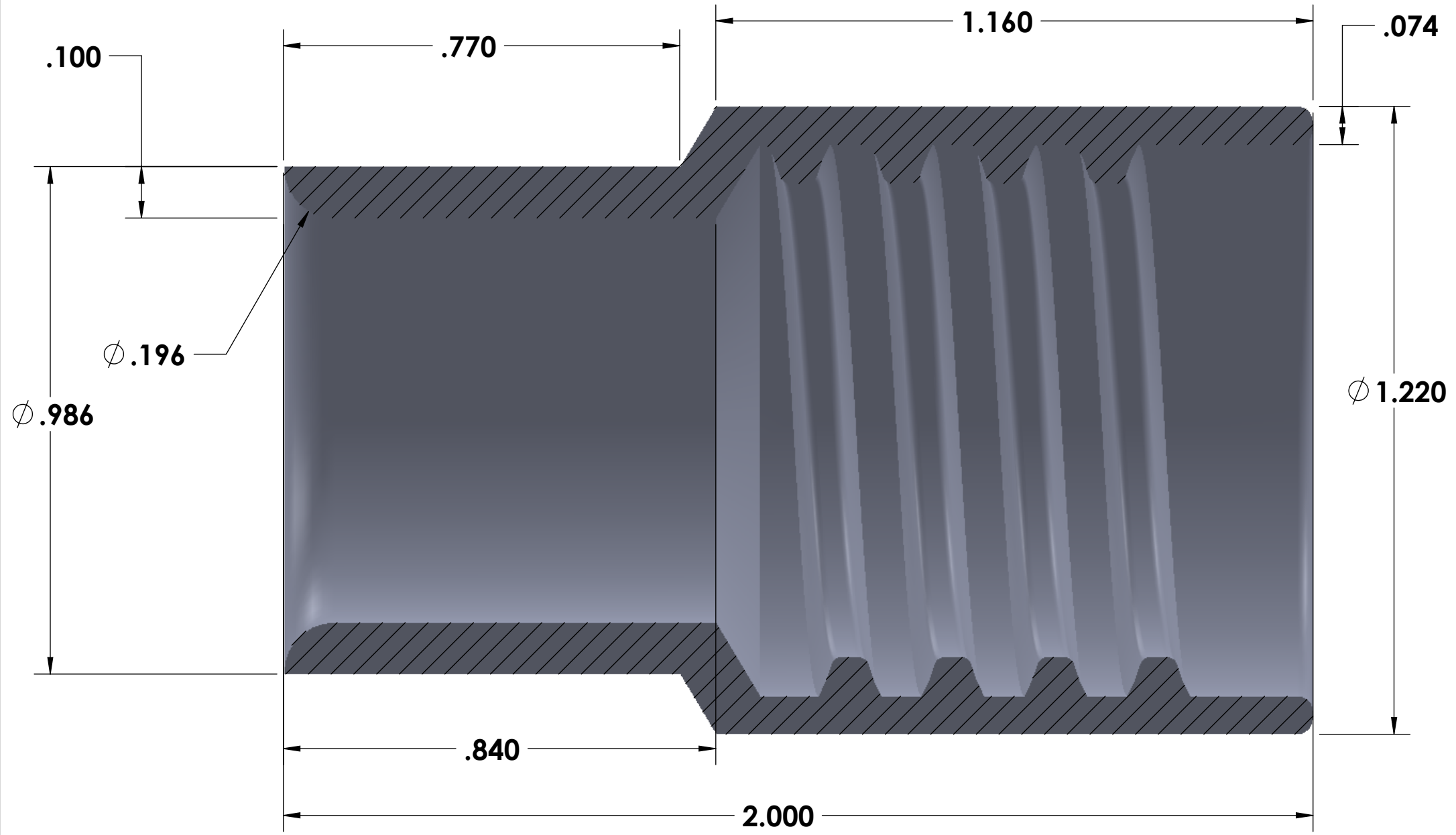
1

B

B

A

A



**PROPRIETARY AND CONFIDENTIAL**  
 THE INFORMATION CONTAINED IN THIS DRAWING IS THE SOLE PROPERTY OF AMFLEX PLASTICS. ANY REPRODUCTION IN PART OR AS A WHOLE WITHOUT THE WRITTEN PERMISSION OF AMFLEX PLASTICS IS PROHIBITED.

		UNLESS OTHERWISE SPECIFIED:		NAME	DATE	AMFLEX PLASTICS INC	
		DIMENSIONS ARE IN INCHES		DRAWN	Alejo	4/17/23	TITLE:
		TOLERANCES:		CHECKED			.075" Vinyl Cuff
		FRACTIONAL: $\pm$		ENG APPR.			SIZE
		ANGULAR: MACH $\pm$ BEND $\pm$		MFG APPR.			DWG. NO.
		TWO PLACE DECIMAL $\pm$		Q.A.			AMX-00019
		THREE PLACE DECIMAL $\pm$		COMMENTS:			REV
		INTERPRET GEOMETRIC TOLERANCING PER:					
		MATERIAL					
		FINISH					
NEXT ASSY	USED ON	APPLICATION		DO NOT SCALE DRAWING		SHEET 1 OF 1	

2

1